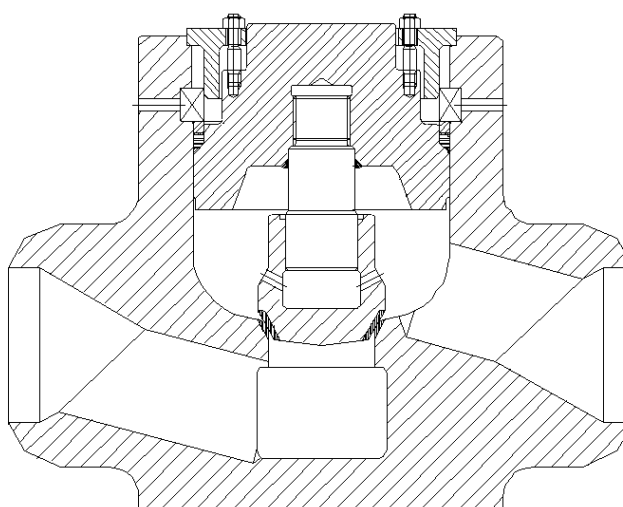


## STRAIGHT PATTERN HIGH PRESSURE CHECK VALVES DN65 – DN150 up to 630 bar

The valves are designed for application in piping installations. They are produced as type: **ZWT1**.

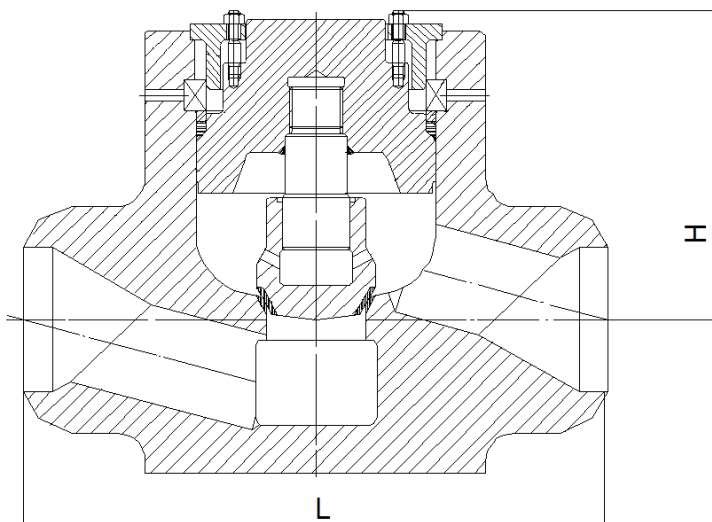
Depending on operating data they are manufactured in following versions:

- version C - light,
- version B - medium,
- version A - heavy



### Materials

Part name	Material
Body	P250GH, 16Mo3, 13CrMo4-5, 11CrMo9-10, 14MoV6-3, X10CrMoVNb9-1
Body seat	stellite
Bonnet	P250GH, 16Mo3, 13CrMo4-5, 11CrMo9-10, 14MoV6-3, X10CrMoVNb9-1
Stem	1.4122
Disc	1.4057 + stellite
Packing	pure graphite



DN	65	80	100	125	150
<b>Version C</b>					
L	250	300	400	500	500
H	190	200	210	250	310
<b>Version B</b>					
L	250	300	400	500	550
H	195	210	230	260	320
<b>Version A</b>					
L	250	300	400	500	600
H	200	220	240	280	330

**Pressure – temperature rating – see table 2 and 2-1.**

**Additional information**

Product meets requirements of Directive PED: 2014/68/EU.

Acceptance tests: EN 12266-1, leak tightness – class C.

Buttwelding ends in acc. EN 12627.

Valves do not have a dash-pot and are suitable only for installations with steady flow of medium.

Valves can operate only on horizontal piping with bonnet directed up.

Special versions on client’s request are available.