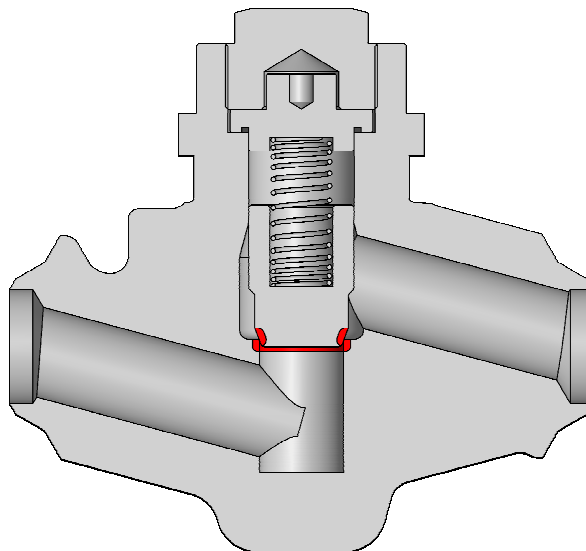


STRAIGHT PATTERN HIGH PRESSURE CHECK VALVES

with buttweld ends DN10 – DN65 PN630

The valves are designed for application in piping installations. They are produced as type: **ZWS5**.

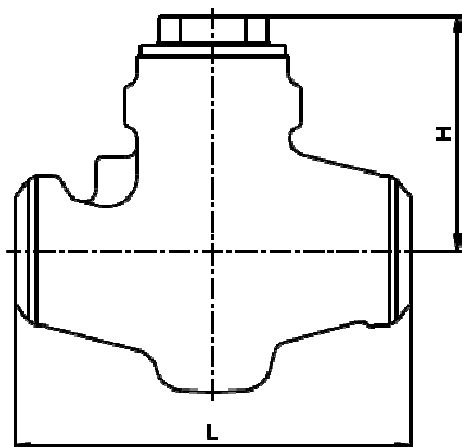


Materials

Part name	Material					
Body	P250GH	16Mo3	13CrMo4-5	11CrMo9-10	14MoV6-3	X10CrMoVNb9-1
Body hardfacing	stellite					
Disc	X39CrMo17-1 + stellite					
Gasket	Graphite					
Screw plug	X22CrMoV12-1					
Pressure plate	13CrMo4-5					
Spring	2.4610					

Operating data

Material	Maximum permissible operating temperature TS, °C															
	20	200	250	300	350	400	450	460	490	500	530	550	570	590	600	650
	Maximum permissible operating pressure PS, bar															
P250GH	630	600	562	491	475	436	251									
16Mo3	630	630	630	578	562	524	507	503	425	338	169					
13CrMo4-5	630	630	630	630	630	625	584	588	518	496	284	180	120			
11CrMo9-10	630	630	630	630	630	630	630	615	533	491	327	245	185	136	120	
14MoV6-3	630	630	630	630	630	630	630	630	630	630	479	360	262			
X10CrMoVNb9-1	630	630	630	630	630	630	630	630	630	630	630	605	545	387	344	175



DN	10	15	20	25	32	40	50	65
L	160	160	160	160	250	250	250	250
H	140	140	140	140	200	200	230	230
h	15	15	15	15	20	20	30	30
Weight /kg/	6,5	6,5	6,5	6,5	14,5	14	27	28

Additional information

Products meets requirements of Directive PED: 2014/68/EU.

Acceptance tests: EN 12266-1, leak tightness class – B.

Buttweld ends dimensions according to customer’s requirements.

Special versions on customer’s request are available.