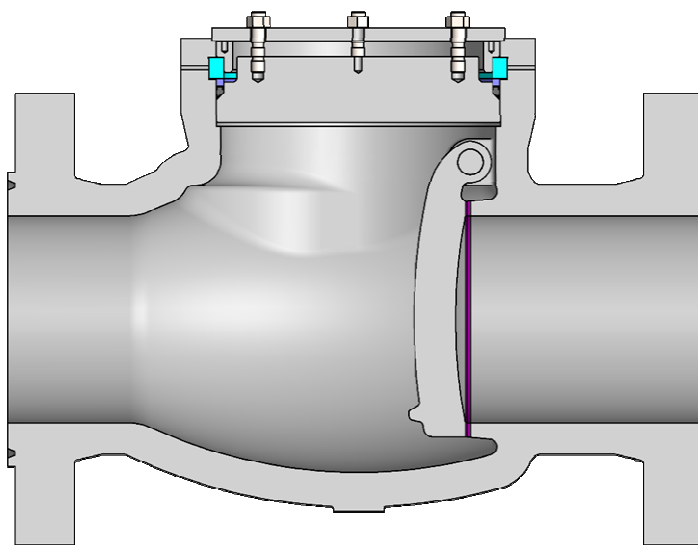
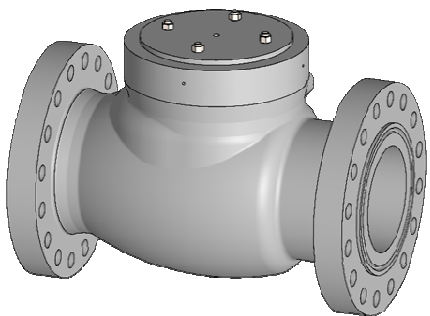


## SWING CHECK VALVES DN80 - DN300 PN63 - PN160

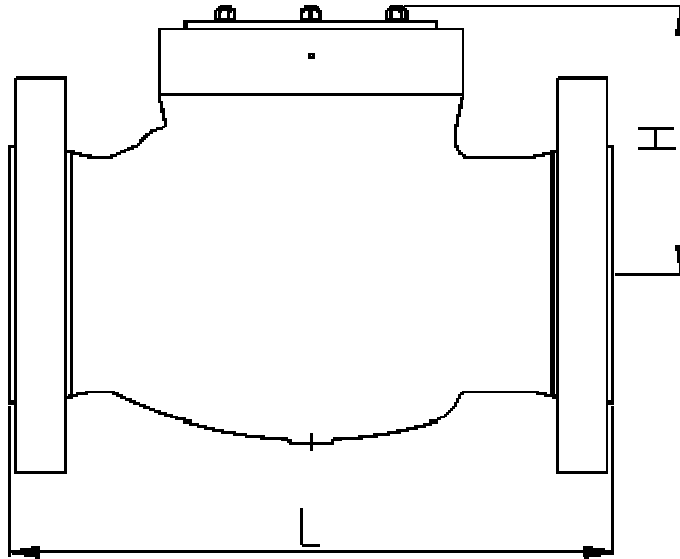
The swing check valves are designed for application in piping installations. They are produced as type **ZKT3**.

The valves can be mounted on horizontal pipings with bonnet directed up or on vertical pipings when medium flows up, under the disc.



### Materials

Part name	Material
Body, Cover	GP240GH, G17CrMo5-5
Disc	GP240GH, G17CrMo5-5
Sealing surfaces	stainless steel (18%Cr)
Gasket	reinforced graphite



DN	80	100	150	200	250	300
L <sub>Flange</sub>	380	430	550	650	775	900
L <sub>BW</sub>	380	430	550	650	775	900
H	220	260	310	380	400	410

**Dimensions of end connections:**

- Flanges acc. to EN 1092-1
- Buttwelding ends in acc. EN 12627

**Pressure – temperature rating - see table 1.**

**Additional information**

Product meets requirements of Directive PED: 2014/68/EU.

Acceptance tests : EN 12266-1, leak tightness class C,

leak tightness class B on request.