

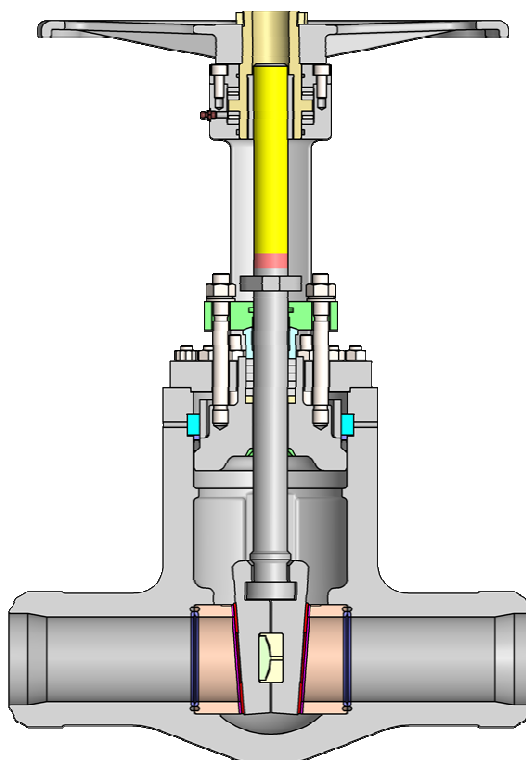
HIGH PRESSURE GATE VALVES DN80 - DN250 up to 320 bar

The gate valves are designed for application in piping installations. They are produced as type: **SLS2**.

Depending on operating data they are manufactured in following versions:

- version A - heavy,
- version B - light,

They are suitable for mounting of the actuator, manual gear box or direct handwheel.

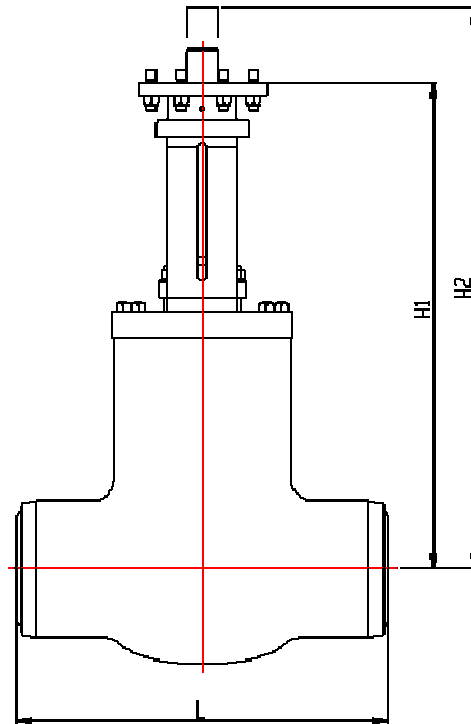


Standard materials

Part name	Material		
Body	GP240GH	G17CrMo5-5	G17CrMoV5-10
Bonnet	GP240GH	G17CrMo5-5	G17CrMoV5-10
Yoke	GP240GH		
Wedge	GP240GH	G17CrMo5-5	G17CrMoV5-10
Stem	X39CrMo17-1		
Sealing surfaces	stellite		
Packing	pure graphite		
Gasket	reinforced graphite		

other materials on request

Dimensions



DN		80	100	125	150	175	200	250
Overall dimensions	L	470	550	650	750	850	950	1150
	H1	597	685	685	913	913	1118	1319
	H2	710	800	800	1075	1075	1230	1310
Weight /kg/	Heavy version	90	145	195	325	560	950	1440
	Light version	85	135	185	310	525	890	1310

Dimensions of end connections:

- Buttwelding ends in acc. EN 12627

Pressure – temperature rating - see table 2-1.

Additional information

Product meets requirements of Directive PED: 2014/68/EU.

Acceptance tests: EN 12266-1, leak tightness – class B (class A on special request).

Face to face dimensions: manufacturer standard.