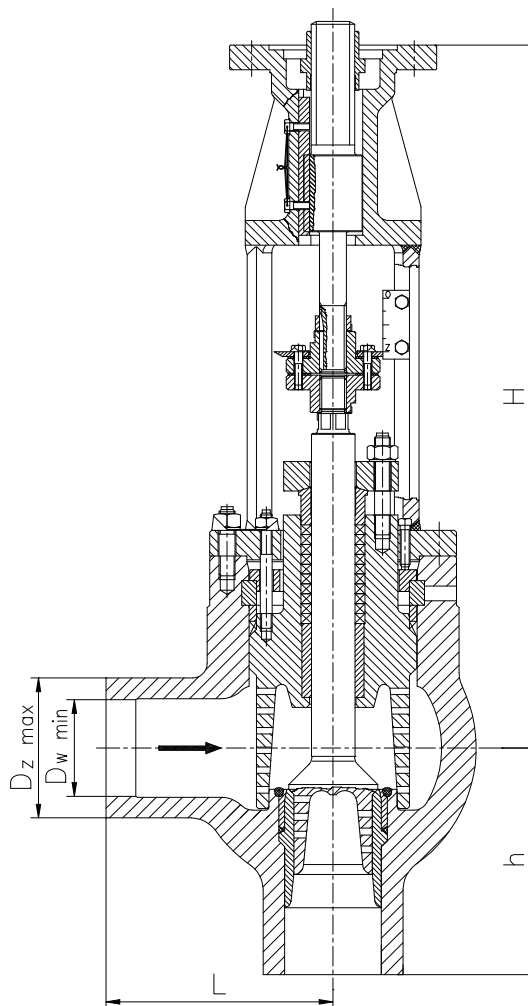


ANGLE PATTERN 1-STAGE CONTROL VALVES type ZRB1

These high pressure valves are designed to control the flow of steam. They find their application in reducing and cooling stations manufactured by CHEMAR ARMATURA. They are suitable for mounting of the actuator, manual gear box or direct handwheel.

A perforated plug and seat welded to the body are characteristic features of these valves.

Dimensions and weights



DN	Kv / m ³ /h /	Dimensions					Weight /kg/
		L	H	h	DW _{min}	Dz _{max}	
100	35	230	720	230	98	142	160
	58						
150	70	270	845	270	144	210	310
	120						
200	140	370	1140	370	198	280	710
	220						

Operating data

Maximum permissible operating pressure :	PS=162 bar
Maximum permissible operating temperature :	TS=545 °C
Flow characteristic :	LINEAR

Materials

Body	GP240GH, G17CrMo5-5, G17CrMoV5-10
Disc, stem	X35CrMo17 (1.4122)
Packing	reinforced graphite

Additional information

Product meets requirements of Directive PED: 2014/68/EU.

Acceptance tests: EN 12266-1, leak tightness – class F.

Special versions on client's request are available.