

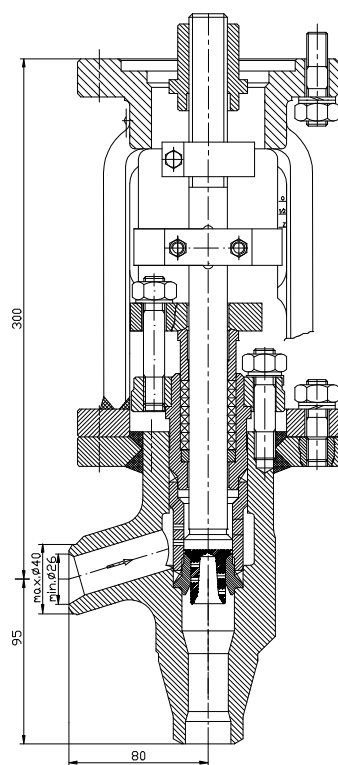
2-STAGE CONTROL VALVES DN25 - DN50 type ZRD

These high pressure valves are designed to control the flow of water. They find their application in water injections systems of reducing and cooling stations manufactured by CHEMAR ARMATURA. They are suitable for mounting of the actuator, manual gear box or direct handwheel. They are produced as angle pattern type : **ZRD1** and straight pattern type : **ZRD2**

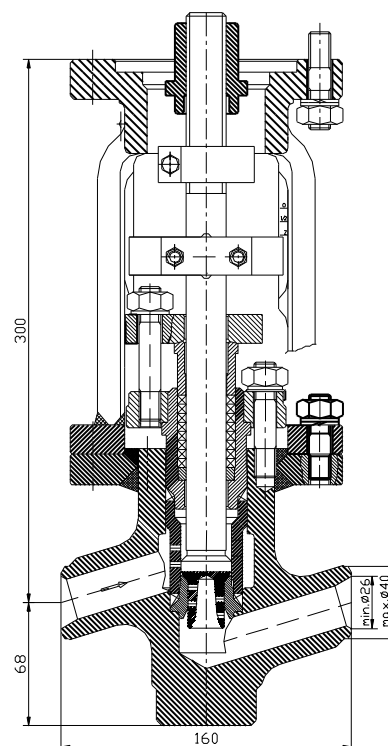
Operating data

Maximum permissible operating pressure	PS=162 bar
Maximum permissible operating temperature	TS=545 °C
Flow characteristic	LINEAR
Maximum permissible pressure drop	$\Delta P = 60 \text{ bar / ZRD1 / , 65 bar / ZRD2 /$
Flow coefficient Kvs / m ³ / h /	2,3 / ZRD1, ZRD2 / - DN 25 5,2 ; 9,5 / ZRD1 / , 3,7 ; 6,6 / ZRD2 / - DN 50

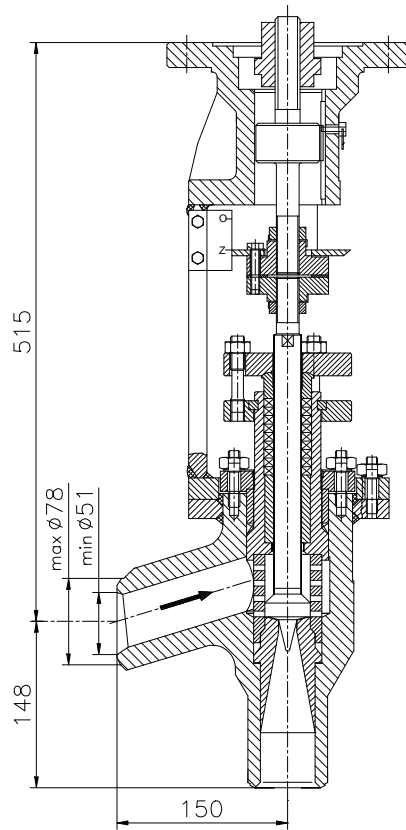
Dimensions and weights



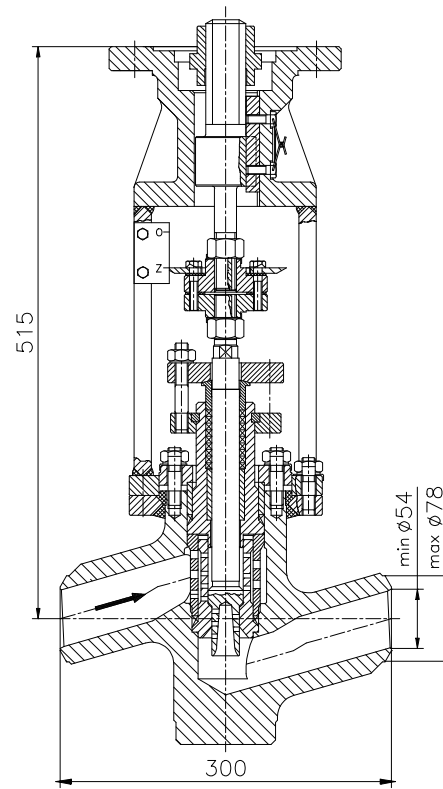
ZRD1 / DN25 / weight 17,5 kg



ZRD2 / DN25 / weight 18 kg



ZRD1 / DN50 / weight 41 kg



ZRD2 / DN50 / weight 49 kg

Materials

Body	P245GH
Disc, stem	X35CrMo17 (1.4122)
Packing	reinforced graphite

Additional information

Product meets requirements of Directive PED: 2014/68/EU.

Acceptance tests: EN 12266-1.

Special versions on client's request are available.