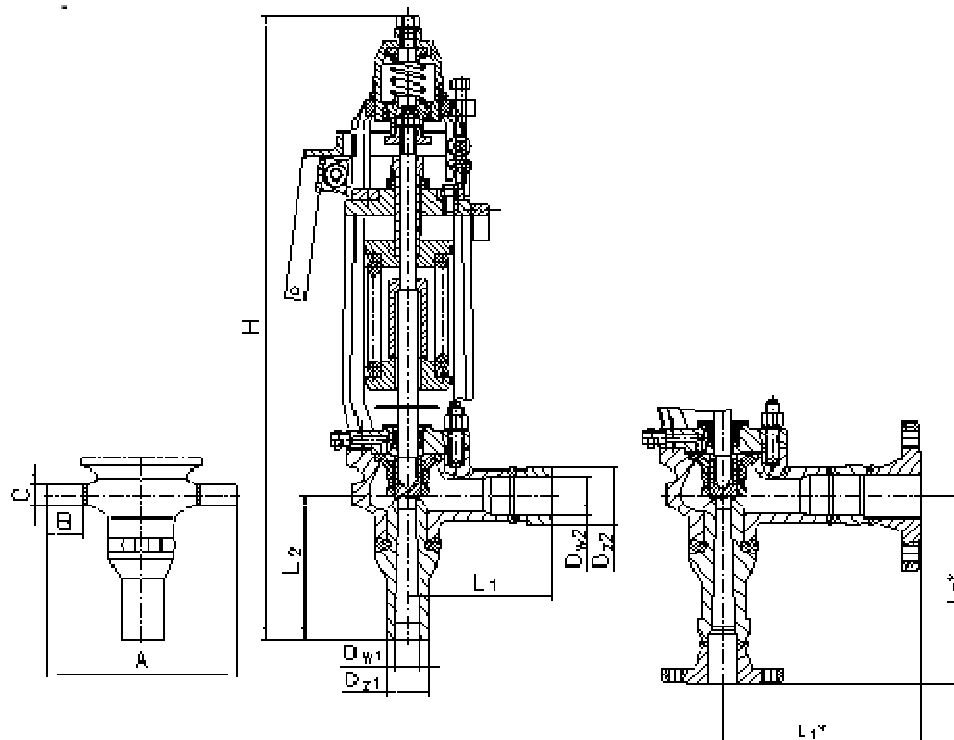


SAFETY VALVES type Si 7508

These are direct action full stroke spring loaded valves, open type design.



Operating data

Operating medium	steam, air, other neutral steams and gases
Maximum permissible operating temperature	TS = 545° C

Dimensions and weights

DN	Seat / mm /	Dimensions								Weight /kg/	Setting Ppo
		Dw ₁ / Dw ₂ min	Dz ₁ / Dz ₂ max	L ₁	L ₂	A	H	B	C		Pp _o /bar/
25/40	16	25/40	50/57	170	170	222	765	50	28	35	20 - 80
32/50	20	32/50	65/76	180	180	240	780	55	28	43	20 - 80
40/65	25	40/65	75/95	200	200	288	895	63	30	60	20 - 180
	28	40/65	75/95	200	200	288	895	63	30	60	20 - 160
50/80	32	50/80	90/108	225	225	342	1040	77	45	85	20 - 150
	36	50/80	90/108	225	225	342	1040	77	45	85	20 - 130
65/100	40	65/100	115/133	240	240	358	1170	74	51	125	20 - 130
	44	65/100	115/133	240	240	358	1170	74	51	125	20 - 120
	46	65/100	115/133	240	240	358	1170	74	51	125	20 - 120
80/125	50	80/125	140/159	250	250	442	1155	96	65	130	20 - 100
	56	80/125	140/159	260	260	442	1155	96	65	130	20 - 85
100/150	63	100/150	140/178	260	260	500	1265	105	65	180	20 - 85
	70	100/150	140/178	260	260	500	1265	105	65	180	20 - 85

Materials

Body	GP240GH, G17CrMo5-5
Bonnet	GP240GH, G17CrMo5-5
Inlet nozzle	P245GH, 11CrMo9-10, X10CrMoVNb9-1
Outlet nozzle	P245GH, 11CrMo9-10, 13CrMo4-5

Additional information

Product meets requirements of Directive PED: 2014/68/EU.

End connections: Buttwelding ends in acc. EN 12627

Flanged ends in acc. EN 1092-1.

Acceptance tests: EN 12266-1, WTWiO Nr 015.07.1.