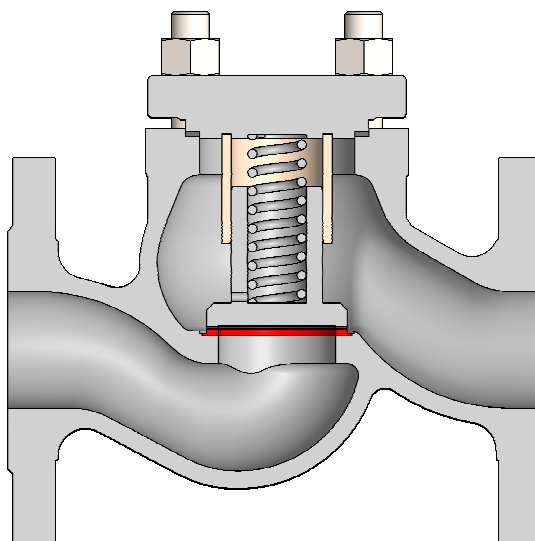


STRAIGHT PATTERN CHECK VALVES PN63 - PN160 DN15 – DN200

The valves are designed for application in piping installations. They are manufactured in following versions:

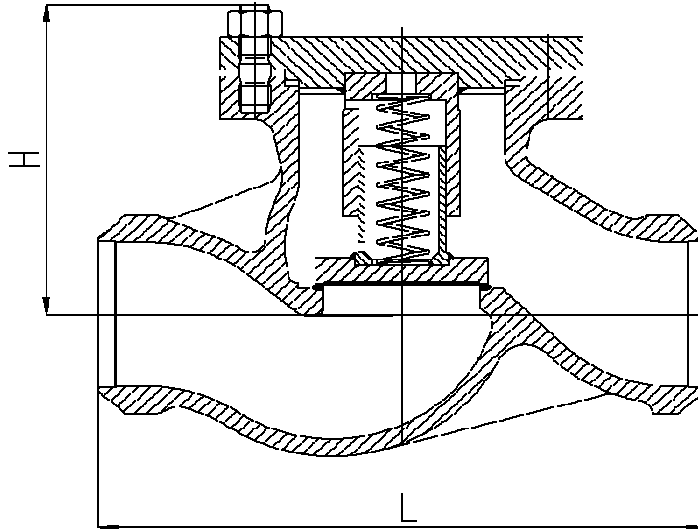
- flanged – type **ZST3** / with spring – type **ZSS3** /
- with buttweld ends – type **ZST4** / with spring – type **ZSS4** /



Standard materials

Part name		Standard material			
Body	DN15 - 25	P250GH	16Mo3	13CrMo4-5	X2CrNiMo17-12-2
Body	DN40 - 200	GP240GH	G20Mo5	G17CrMo5-5	GX5CrNiMo19-11-2
Body seat		18% Cr			—
Cover		GP240GH	G20Mo5	G17CrMo5-5	GX5CrNiMo19-11-2
Disc	≤ DN50	1.4021 hardend			1.4571
Disc	> DN50	base material + 13%Cr			stellite
Gasket		camprofile gasket with graphite			

other materials on request



DN	15	20	25	40	50	65	80	100	125	150	200
L ^{Flanged}	210	230	230	260	300	340	380	430	500	550	650
L ^{Buttweld ends}	150	150	160	260	300	340	380	430	500	550	650
H	75	75	75	115	120	150	170	190	215	235	280

Pressure – temperature rating - see table 1.

Additional information

Product meets the requirements of Directive PED: 2014/68/EU.

Acceptance tests: EN 12266-1, leak tightness – class B.

Flanges acc. to EN 1092-1.

Sealing faces of flanges – raised face B1 acc. to EN 1092-1.

Face to face dimensions: - valves with flanges – series 2 acc. to EN 558,

- valves with buttweld ends: - series 65 acc. to EN 12982 (DN15 – DN25),

- series 2 acc. to EN 12982 (DN40 – DN200).

Special versions on client’s request are available.